



healthtec

Supporting you

1300 362 923
www.healthtec.com.au

EXAMINATION TABLES

Universal Examination Table

Every practice should have at least one heavy duty table allowing the safe lift of heavy patients reducing fatigue and back strain on the practitioner.

The electric HI-LO can safely lift up to 300kg, while the low minimum height allows for easy patient access and safe wheelchair transfers.

Designed to help with patient examination and procedures where cubicle space is an issue.

Each end section can be raised and lowered for left and right patient examination & procedures.



Features

- Electric Height Adjustment with handswitch
- Column lift eliminating crush points
- Independently Lockable Castors
- Durable powder coated rust resistant frame
- High quality anti-microbial vinyl & CFC free foam
- 5 year warranty on frame & electrics
- Australian designed & manufactured

Specifications

- 300kg Maximum Lifting Capacity (moving)
- 400kg Maximum Working Load (stationary)
- 470mm Minimum Height
- 870mm Maximum Height
- 710mm Table Width
- 1930mm Table Length
- Manual backrest adjustment +70° to -50° (both end sections)

Available options:



5102 – Procedure Arm



5114 – Gynae Leg Supports



Established 1922

Medical and Surgical Requisites Pty Ltd

Call within Brisbane 07 3859 2900 33 Fulcrum Street Richlands Queensland 4077 www.medsurg.com.au
Phone 1300medsurg (1300 633 787) Email medical@medsurg.com.au Fax 07 3859 2995





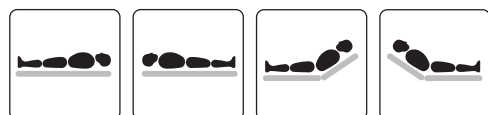
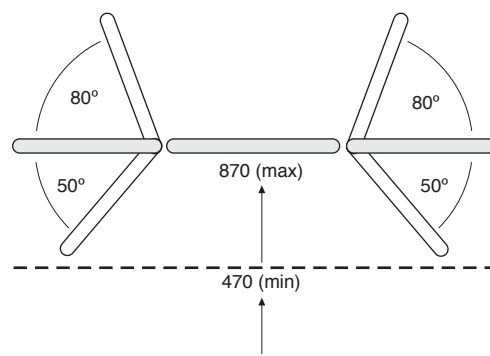
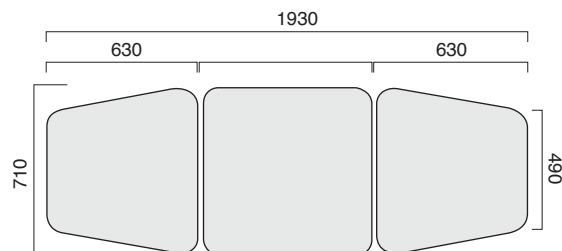
Supporting you

PRICE SHEET

www.healthtec.com.au

Universal Examination Table

Product Description	CODE	Qty
Product Description		
Evolution Universal Examination Table (710 wide) w/castors	55221	
Width Options		
720mm Width Option	-70	
Custom Width Option	6014	
Foam & Vinyl Options		
Non-Stock Vinyl Option	6018	
Leather Upgrade	6008	
*please refer to our colour chart for vinyl colour options		
Nose Hole Options		
Nose Hole – Examination Backrest	6011-2	
Nose Hole Plug	6010	
Examination Options		
Procedure Arm	5102	
Gynae Leg Supports	5114	
Drip Pole (IV) Mounting Bracket	6041	
Footswitch Options		
Single Footswitch (upgrade from Handswitch)	6020	
Table Protection		
Disposable Fitted Bed Sheet – 10 per pac	ANWFIT	
Extended Warranty		
10 years Frame & Electrics	7800	
Freight		
Freight charges are not included in our prices. Please contact your Healthtec representative for freight costs and options.		
Shipping Dimensions	2050mm x 850mm x 650mm	
Shipping Weight	80kg (approximately)	



Medical and Surgical Requisites Pty Ltd

Call within Brisbane 07 3859 2900 33 Fulcrum Street Richlands Queensland 4077 www.medsurg.com.au
 Phone 1300medsurg (1300 633 787) Email medical@medsurg.com.au Fax 07 3859 2995

